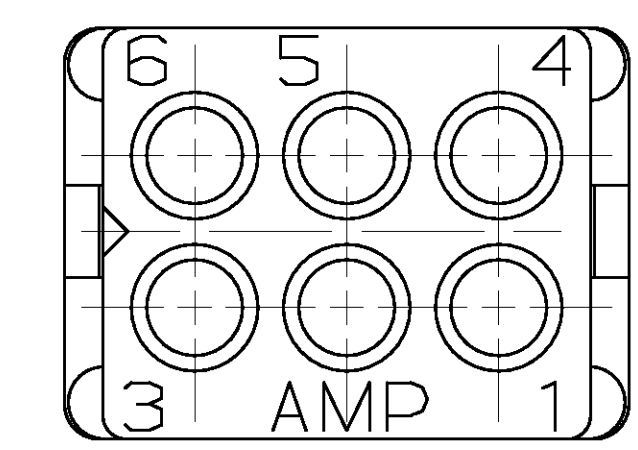
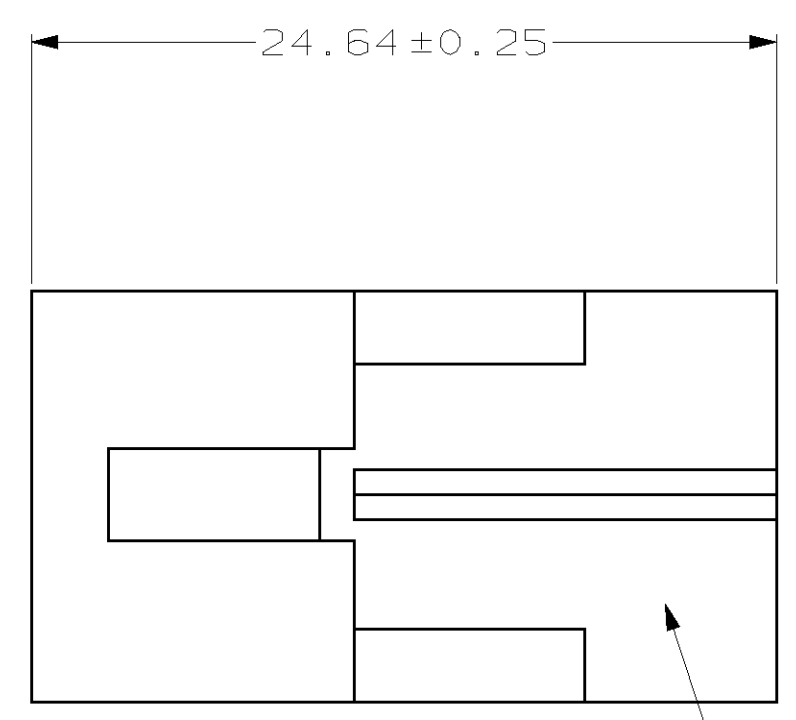
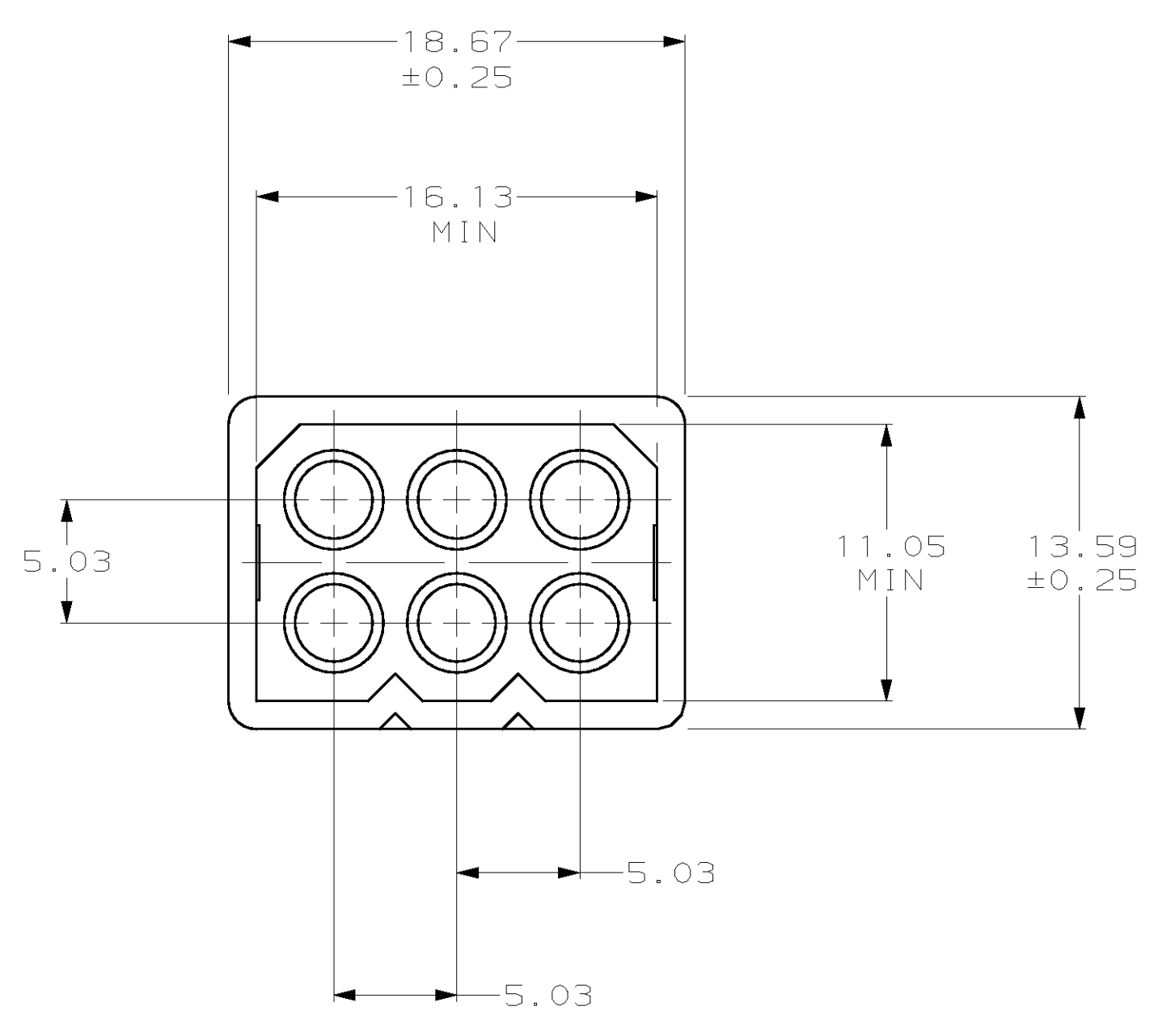
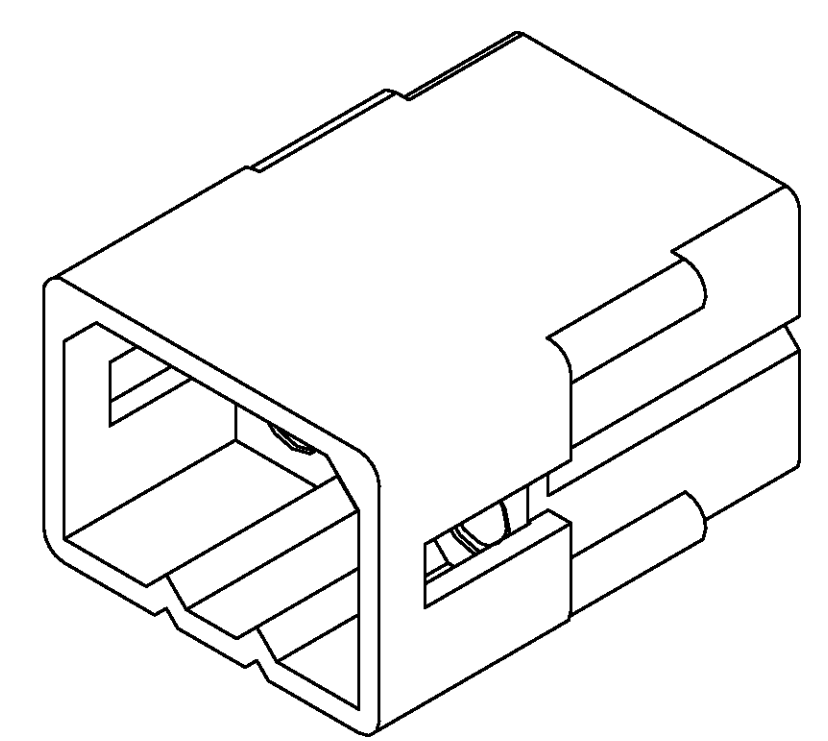


LOC	QTY	REV	DATE	BY	APPV
CM	53	E	6-03-97	KW	RS

1 MARKING FOR UL LOGO AND CSA LOGO LOCATED APPROXIMATELY AS SHOWN.



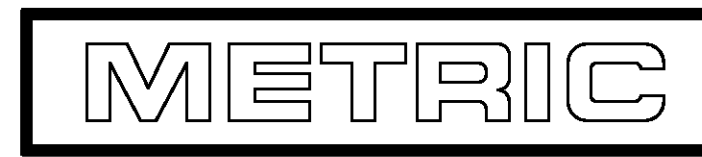
1 OPPOSITE SIDE OPTIONAL



3-DIMENSIONAL MODEL NTS

MM	IN
24.64	.970
18.67	.735
16.13	.635
13.59	.535
11.05	.435
5.03	.198
2.36	.093
0.25	.010
0.13	.005

770090-1  
PART NUMBER



THIS DRAWING IS A CONTROLLED DOCUMENT.		DWN K. WHITAKER	6-03-97	<b>AMP</b> AMP Incorporated Harrisburg, PA 17105-3608
DIMENSIONS: mm		CHK R. SWING	6-03-97	
TOLERANCES UNLESS OTHERWISE SPECIFIED:		APV C. CASH	6-03-97	NAME PLUG, 6 CIRCUIT, .093 COMMERCIAL PIN AND SOCKET
1 PLC ±-	2 PLC ±-	3 PLC ±-.13	4 PLC ±-	RESTRICTED TO
MATERIAL NYLON, UL 94V-2, NATURAL		FINISH -	HEIGHT -	SIZE SCALE CODE DRAWING NO A1 007790 C-770090
CUSTOMER DRAWING		SCALE 4:1		SHEET 1 OF 1 REV F